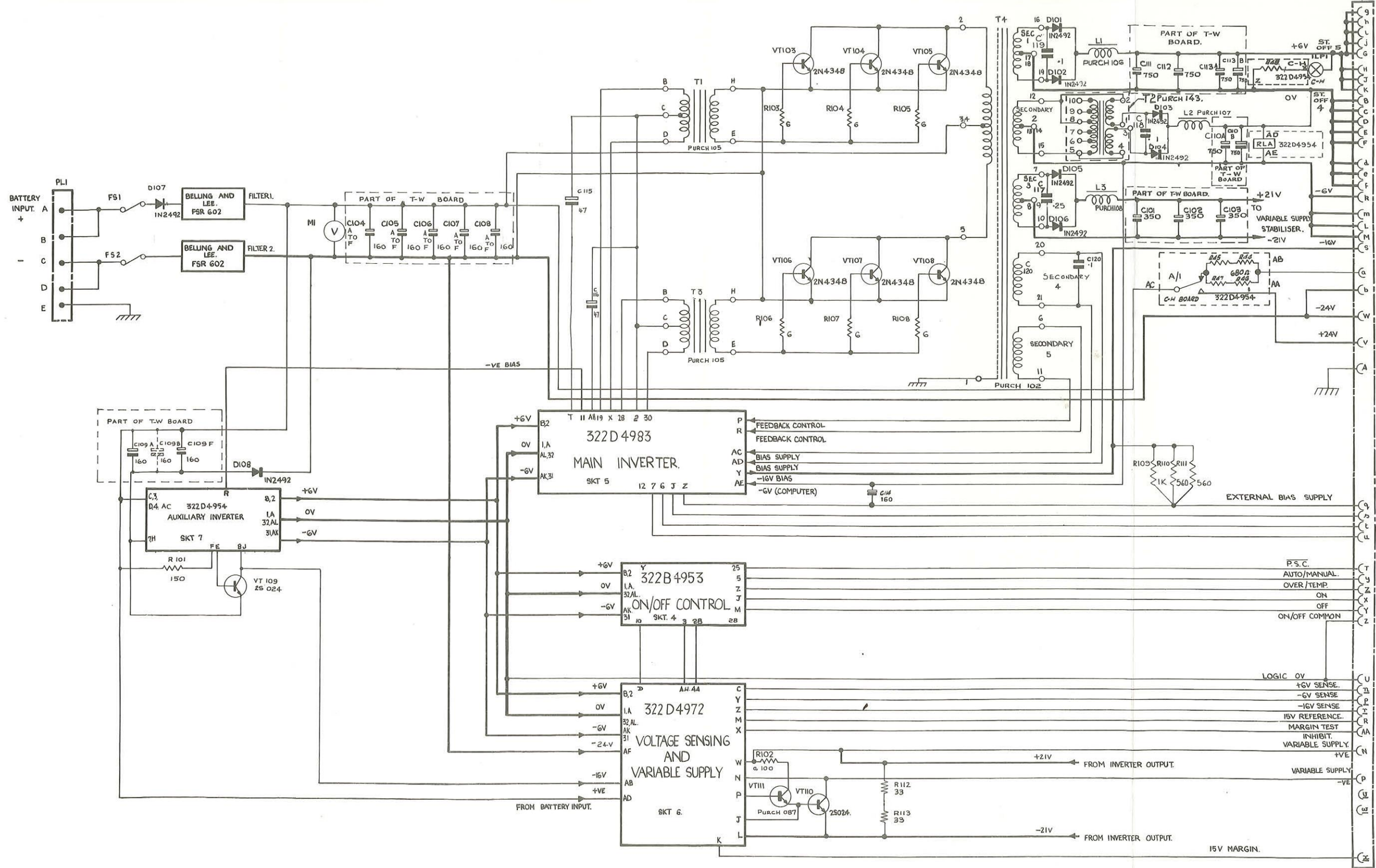


RESISTORS.	101				102	105 106	104 107	112 105 113 108		103 110 111		RESISTORS.			
CAPACITORS.	109 A, 109 B, 109 C, 109 D, 109 E, 109 F.		104 A TO F 105 A TO F 106 A TO F 107 A TO F 108 A TO F		115, 116.		114	119 117 120	118	112 102	110	CAPACITORS			
MISC.	FS1 FS2	DI07	DI08 VT109		MI		T1 T3	VT103 VT106 VT110	VT104 VT107	VT105 VT108	T4	DI01 DI02 DI03 DI04	L1 L2 L3	K L A	MISC.



SKT.3

D1